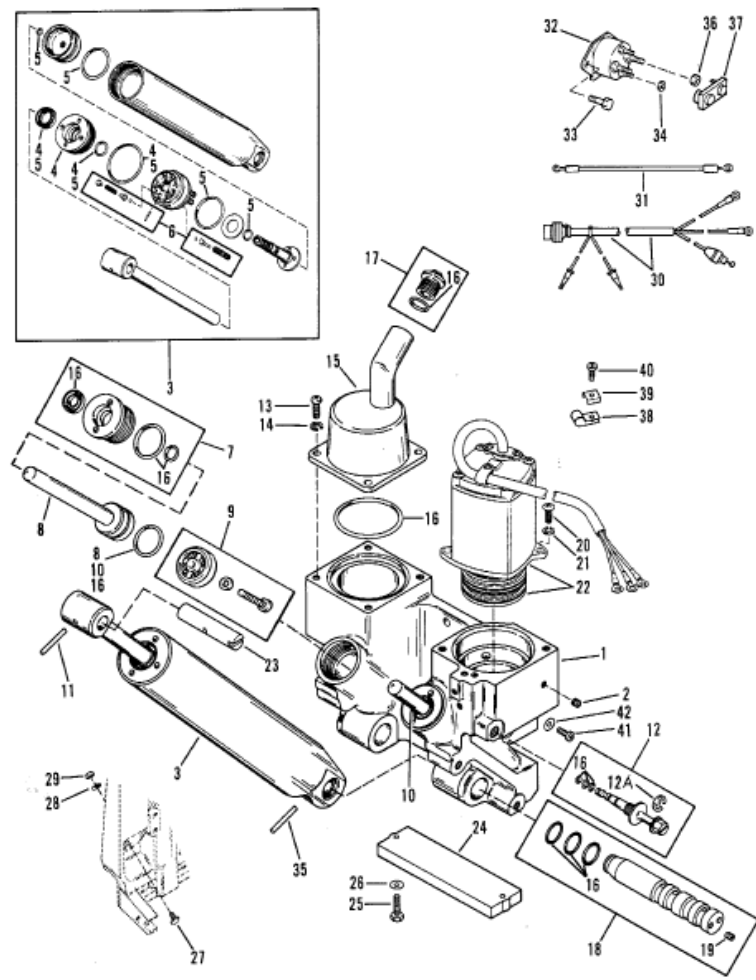


POWER TRIM COMPONENTS



				Parts List		
Ref	Class	Part	Description	Qty	Comment	Footnote
1		99659A21	MANIFOLD ASSEMBLY	1		
2	22	99616	PIPE PLUG,MANIFOLD	11		
3		41493A 9	TRIM CYLINDER ASSEMBLY	1		
4		41492A 1	GUIDE ASSEMBLY	1		
5	25	41478A 1	REPAIR KIT	1		
6		41482A 3	CHECK VALVE KIT	1		
7		99638A 1	GUIDE ASSEMBLY, TRIM ROD	2		
8		43397A 7	PISTON AND ROD ASSEMBLY, P	1		
9	35	12184A 1	TRIM FILTER ASSEMBLY	1		
10		43398A 3	PISTON AND ROD ASSEMBLY,S1	1		
11	17	13794	GROOVE PIN, TRIM CYLINDER(U	1		
12		812843A 1	VALVE ASSEMBLY	1		
12A	53	812844	E-RING	1		
13	10	40003 27	SCREW, COVER	4		
14	12	43450	WASHER, COVER SCREW	1		
15		99642	COVER, MANIFOLD	1		
16	25	48462A 2	"O" RING KIT	1		
17	19	99609A 1	PLUG ASSEMBLY	1		
18		99641A 1	SHAFT ASSEMBLY	1		
19	22	99616	PLUG PIPE, SHAFT	2		
20	10	40088 20	SCREW, PUMP AND MOTOR	2		
21	13	40025 6	LOCKWASHER	2		
22		99186T	PUMP AND MOTOR	1		
23		99625	SHAFT, UPPER	1		
24		43396A 2	ANODE ASSEMBLY	1		
25	10	40003 32	SCREW, ANODE	2		
26	12	29245	WASHER, ANODE SCREW	2		
27		99630 1	STRIKER PLATE, TRIM SHAFT	2		
28	13	58643	LOCKWASHER	2		
29	11	46335	NUT	2		
30	84	99695A 1	CONTROL HARNESS, POWER TR	1		
30	84	17201A 2	CONTROL HARNESS, POWER TR	1		
31	84	79139A17	WIRE ASSEMBLY (23"-RED)	1		
31	84	79139A14	WIRE ASSEMBLY (11-1/2"-RED)	2		
32	89	96158	STARTER SOLENOID	3		
33	10	41508	SCREW, STARTER SOLENOID	6		
34	11	26419	NUT, SOLENOID TERMINAL(8-32	4		
35	17	44431	GROOVE PIN, TRIM CYLINDER(L	1		
37	85	97861	INSULATOR, STARTER SOLENO	3		
38	54	22875	CLIP, PUMP WIRE	1		
39		68205	CLIP SCREW	1		